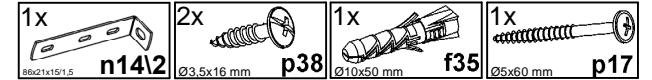
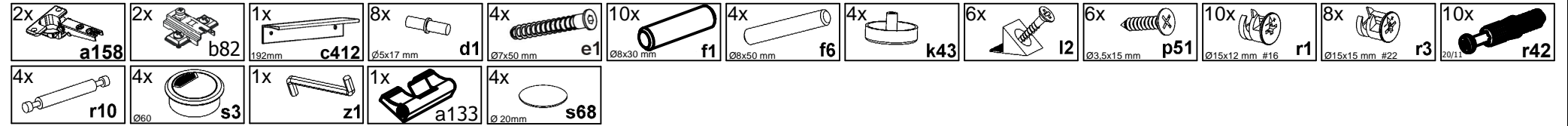
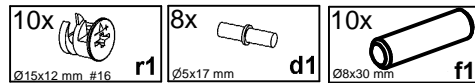
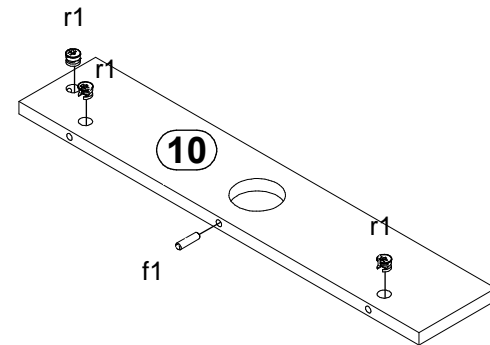
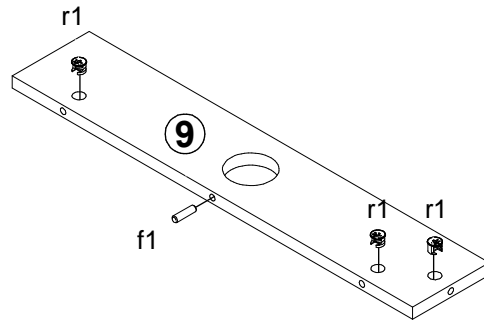
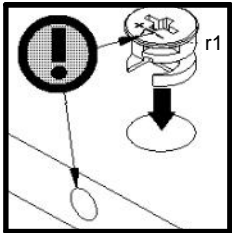
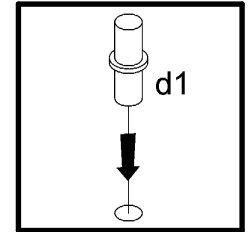
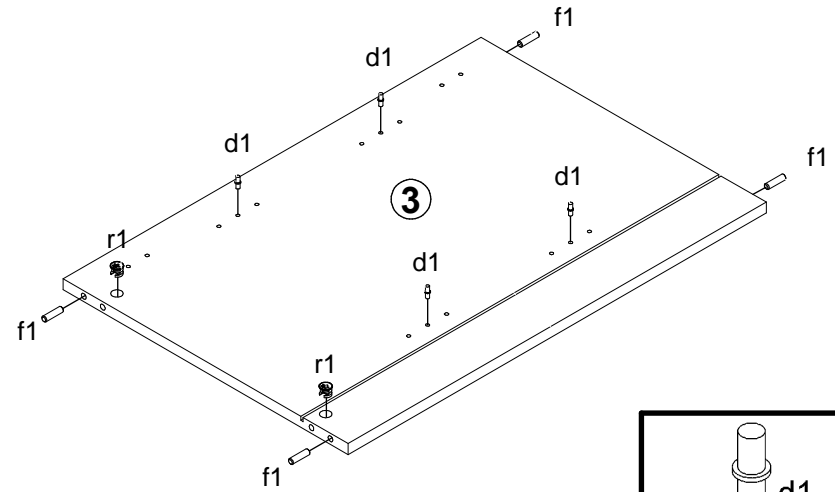
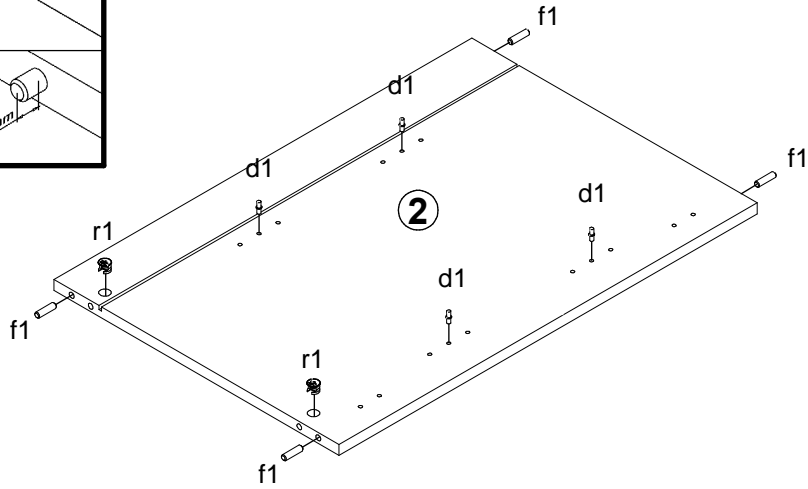
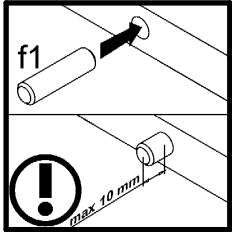
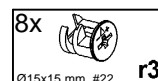
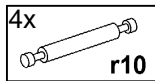
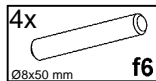
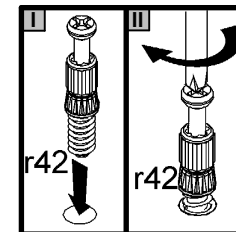
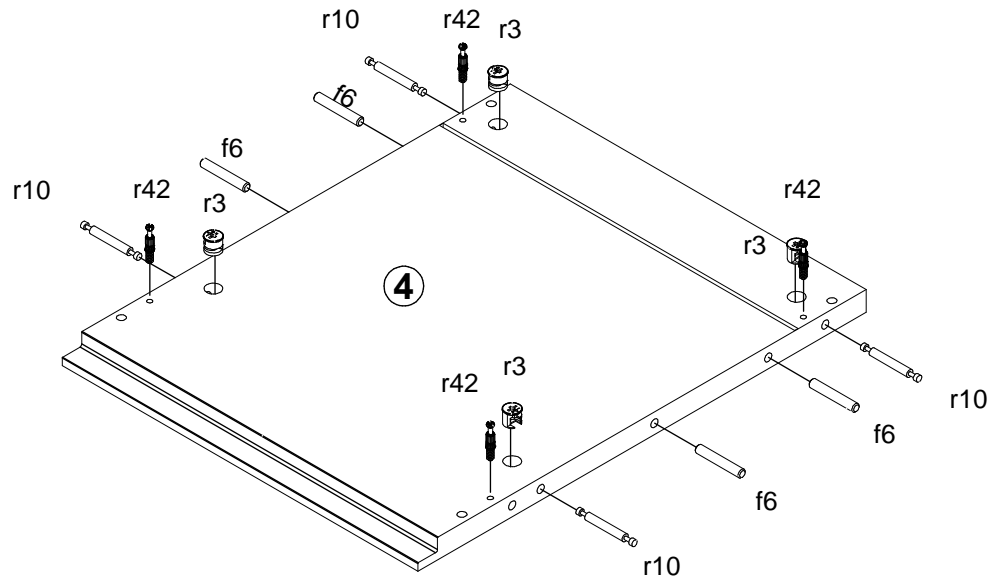
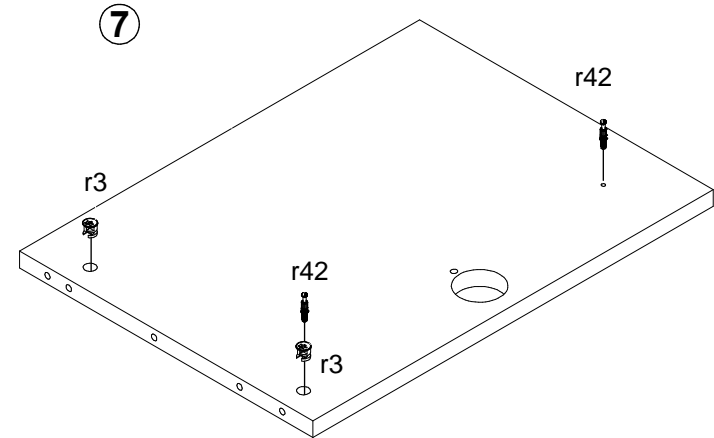
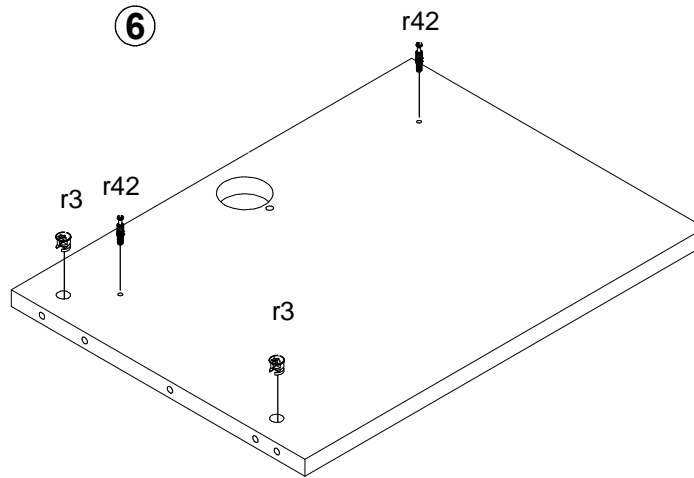
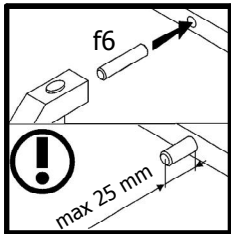
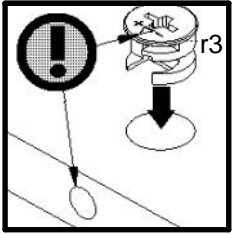


A	B	C1	C2	C3	D
1	S507-0006	729	396	19	2/2
2	S507-1016	705	481	16	2/2
3	S507-1017	705	481	16	2/2
4	S507-2008	400	504	22	1/2
5	S507-2009	400	482	16	1/2
6	S507-2010	600	440	22	1/2
7	S507-2011	600	440	22	1/2
8	S507-3014	366	391	16	2/2
9	S507-4504	115	600	16	1/2
10	S507-4505	115	600	16	1/2
11	S507-9007	715	377	2,5	2/2

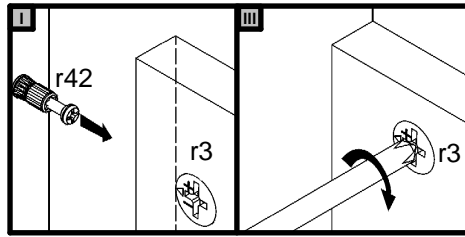
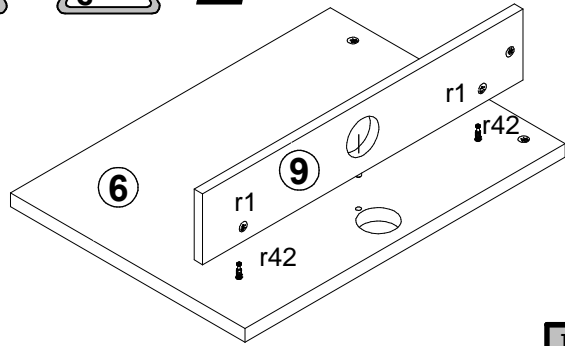




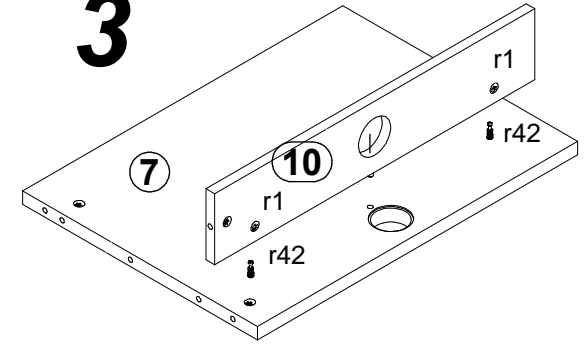




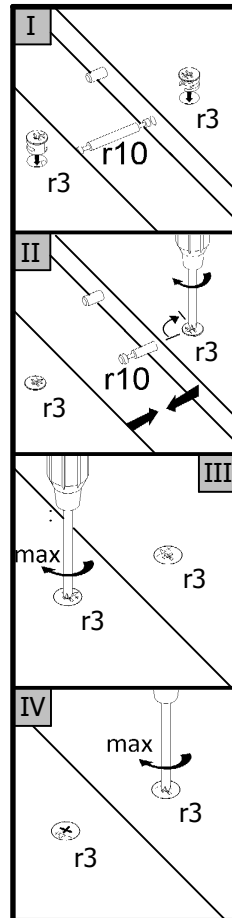
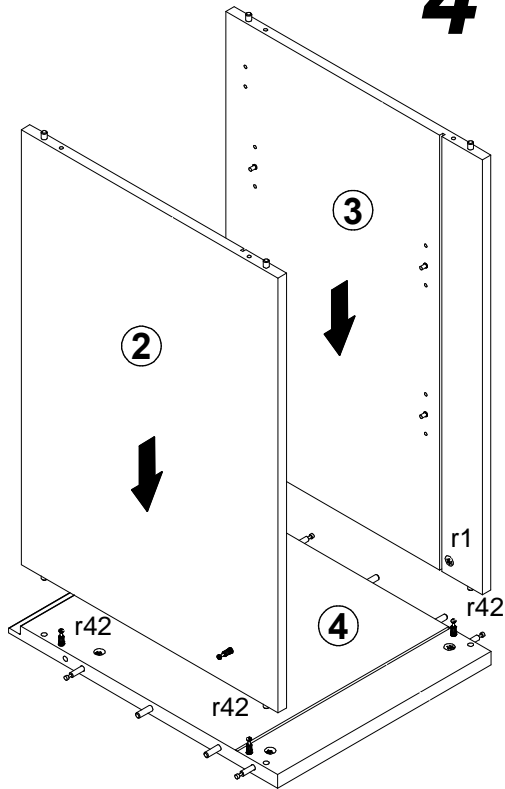
2



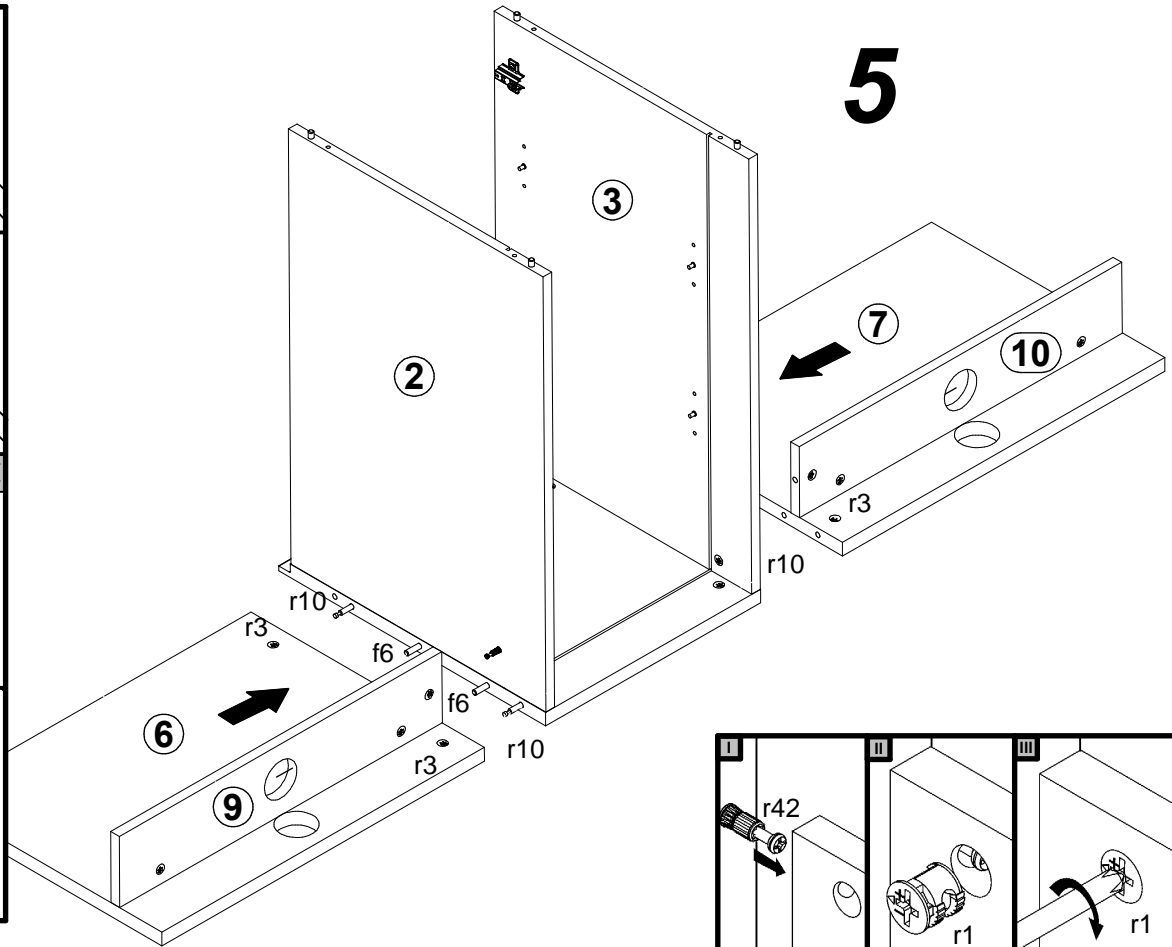
3



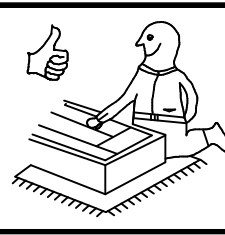
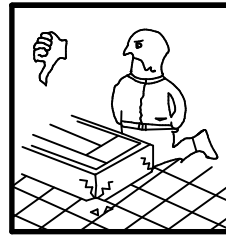
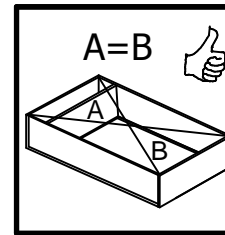
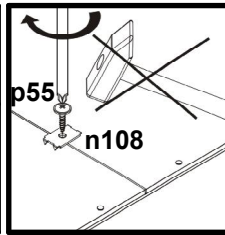
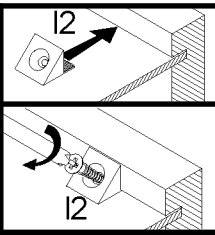
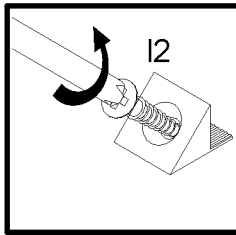
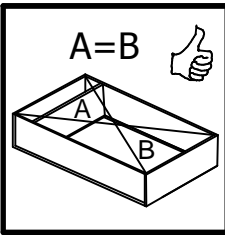
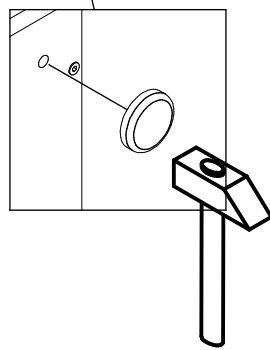
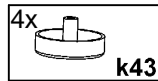
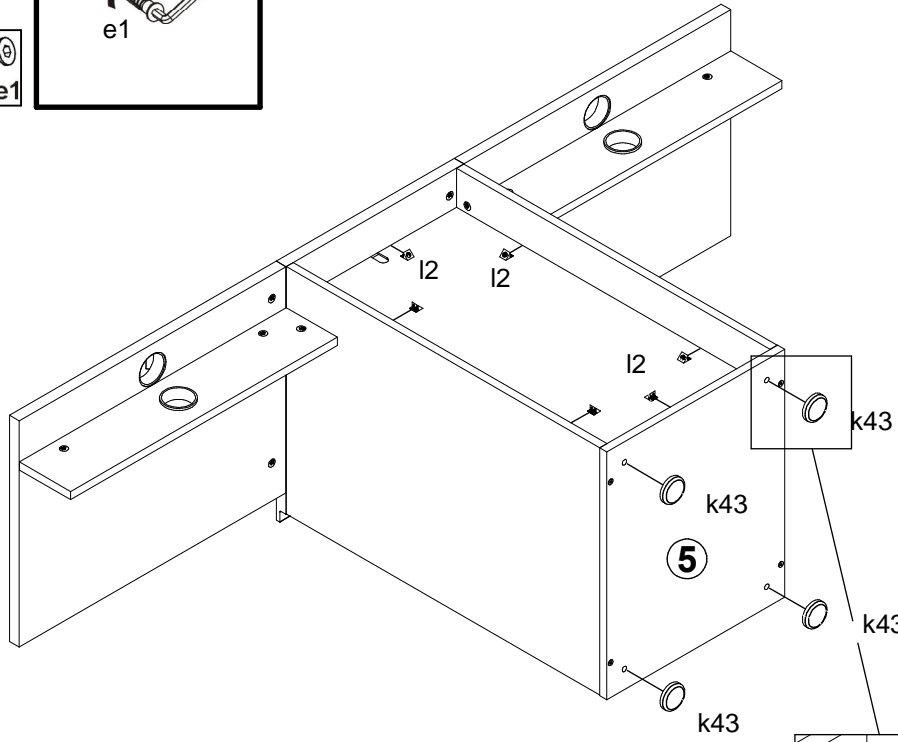
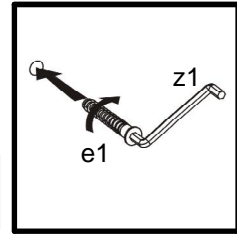
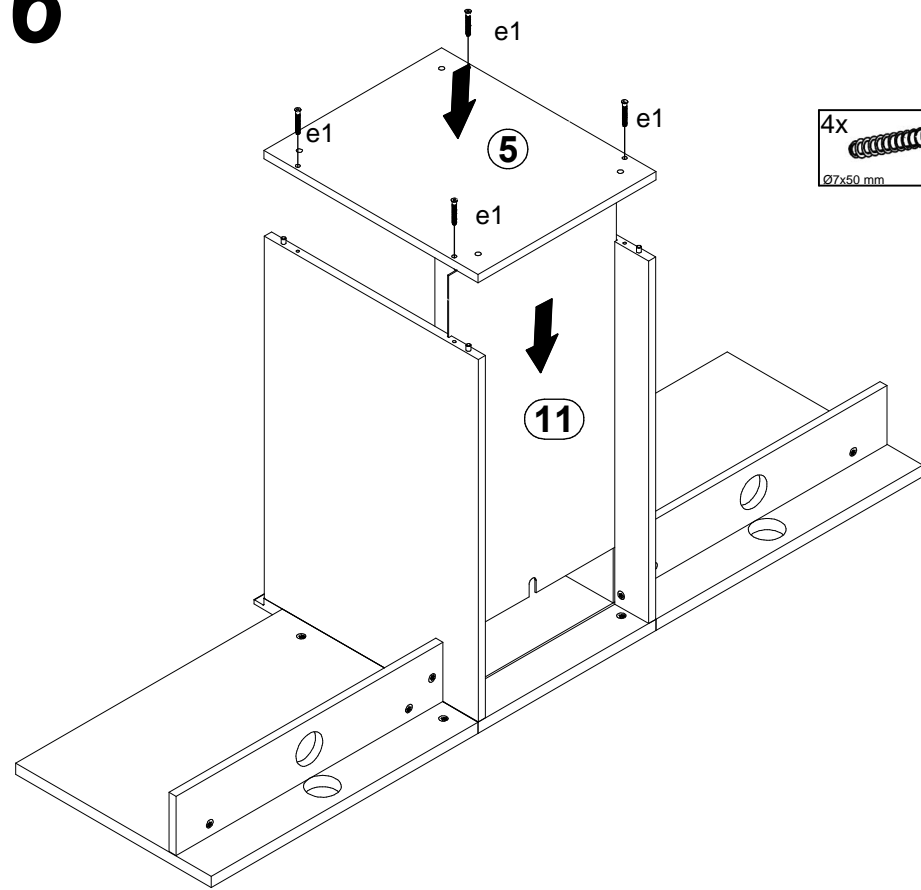
4



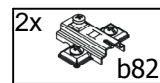
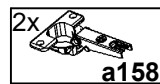
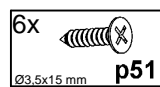
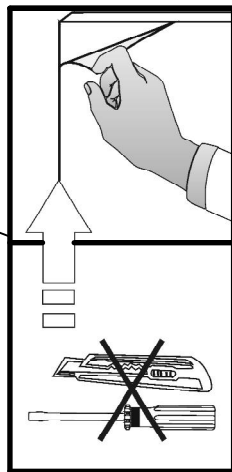
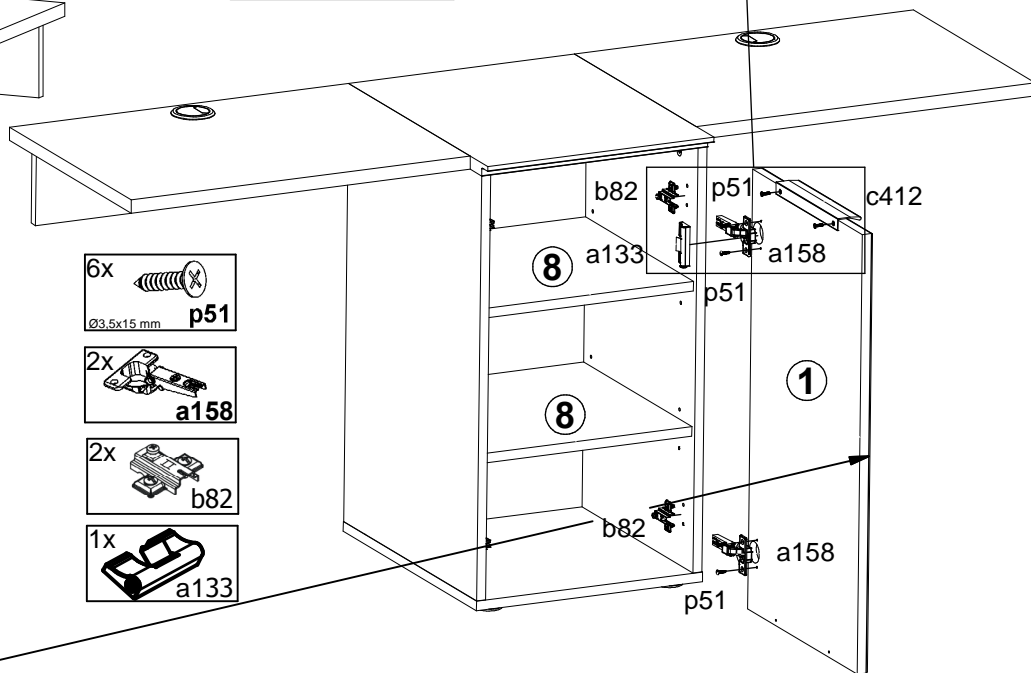
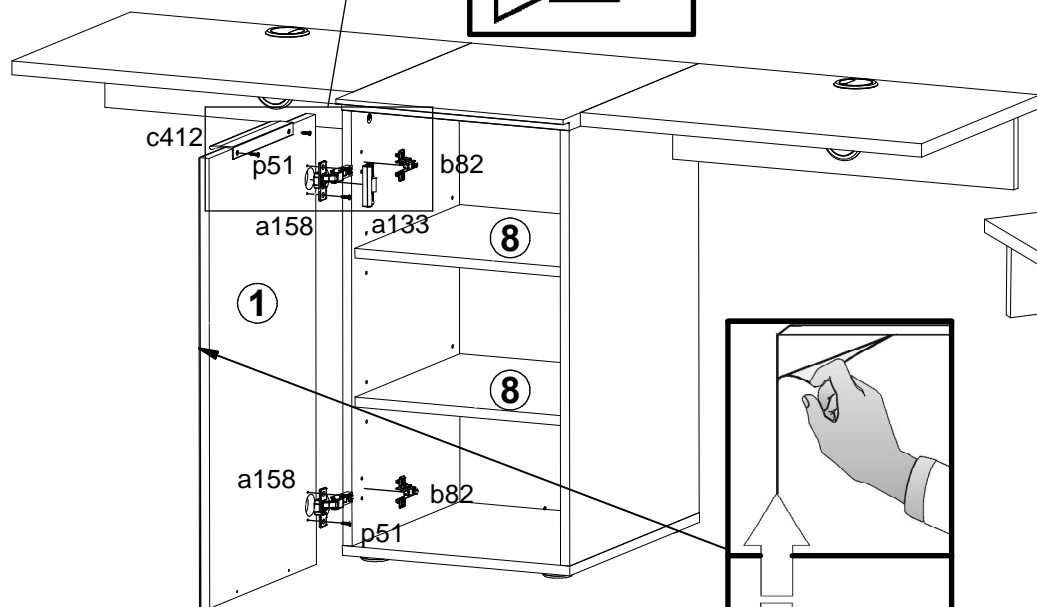
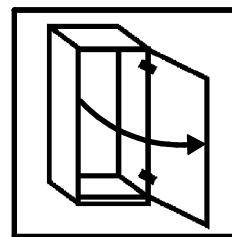
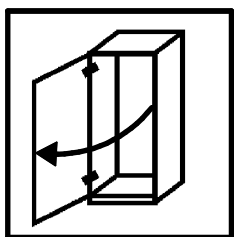
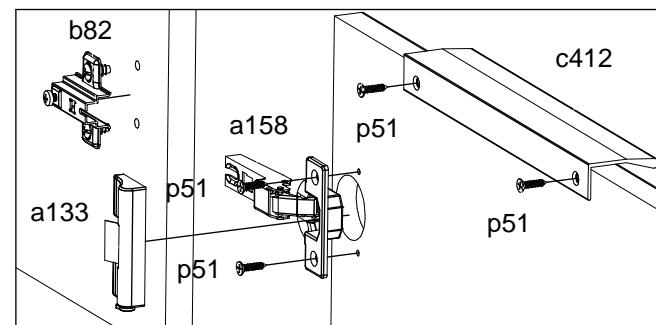
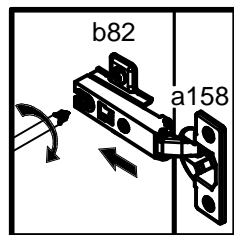
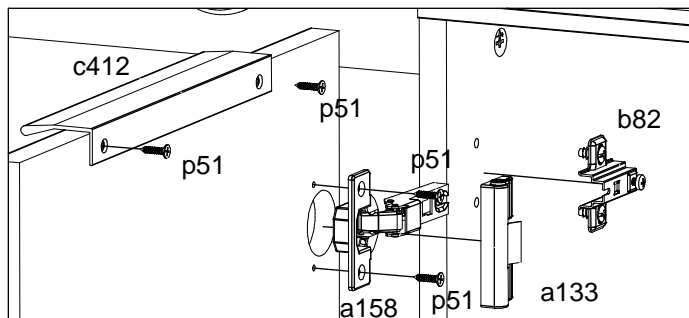
5



# 6



# 7



8

